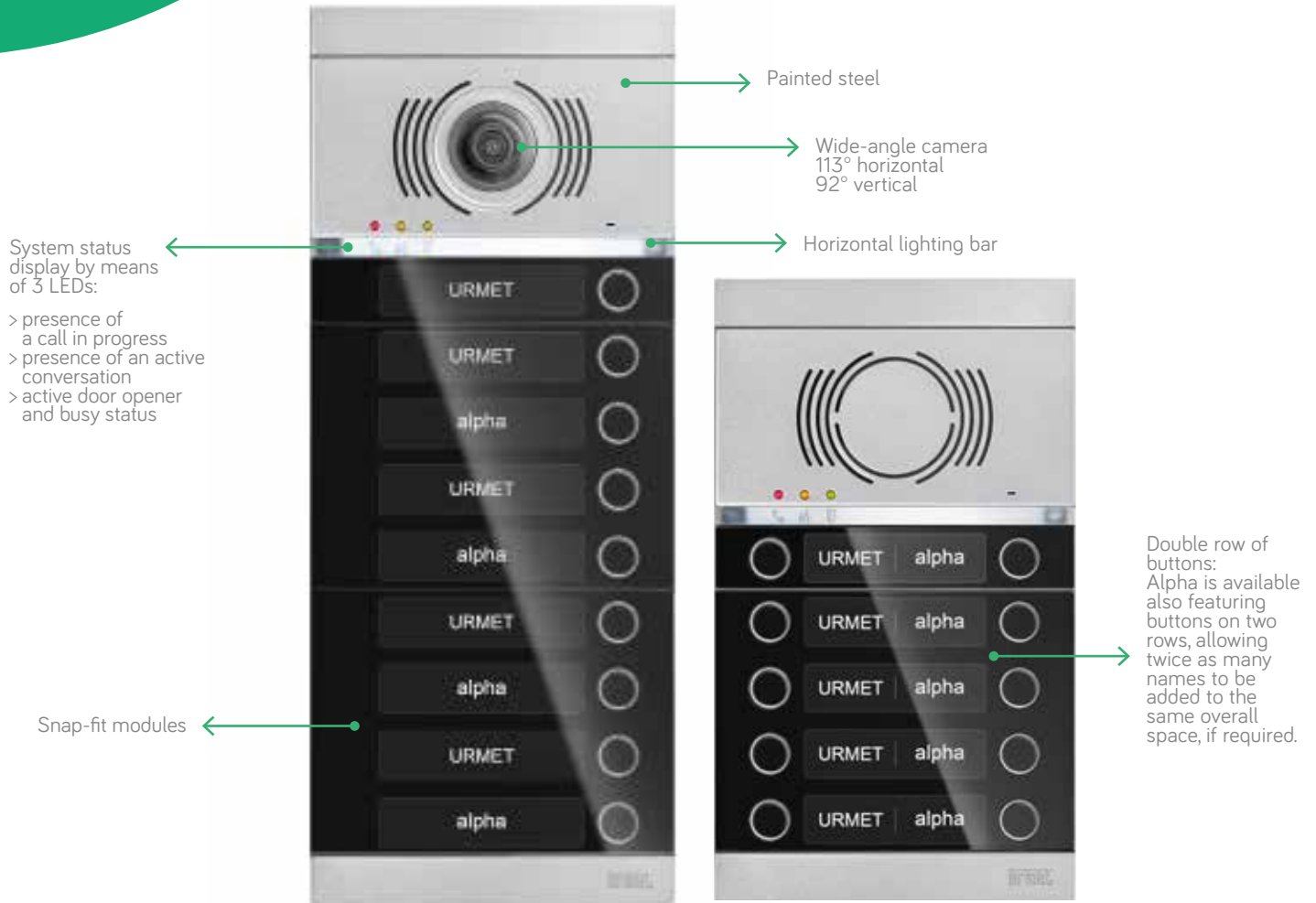




VIDEO ENTRY SYSTEM

alpha

A new line of modular entry panels for 2Voice systems, quick to install and easy to program.



Wide-angle camera



Less installation time



Maximum resistance to external agents



Programming on entry panel or from smartphone/tablet/PC

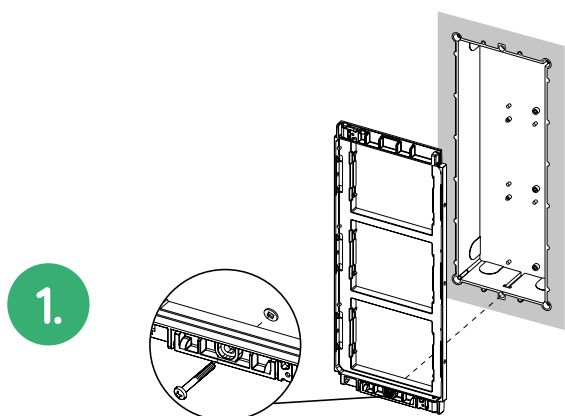


The thinnest on the market in the wall surface mounting version

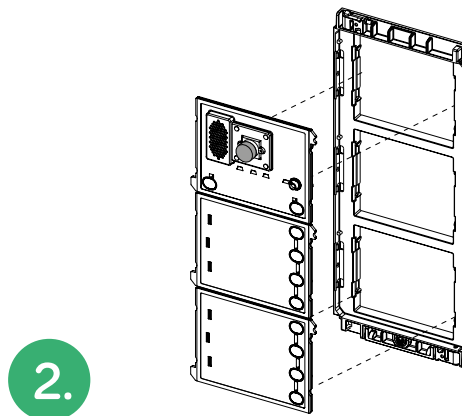


Assembly in a few steps

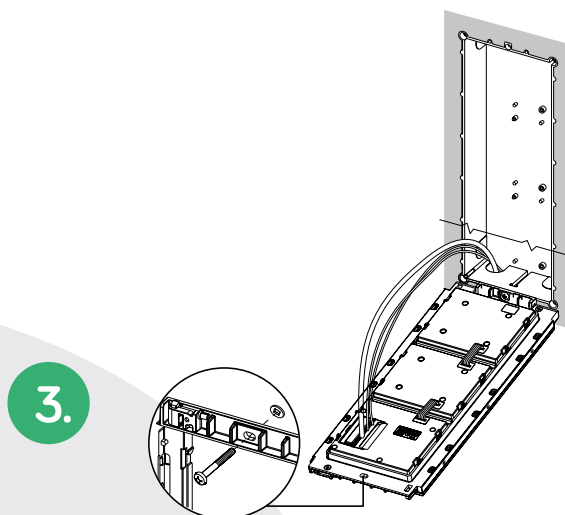
The assembly requires minimal tools, used only for fixing the wall frame and connecting the **2Voice column** and the electric lock. All the other components of Alpha entry panels are designed for a **snap-fit assembly**, while the connections among modules are carried out using the pre-wired flat cables supplied.



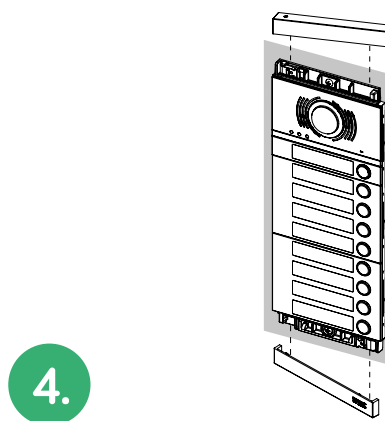
1. Using the screw supplied with the product, fix the lower part and the module holder wall frame, on the flush-mounting box on the wall.



2. Then insert the various snap-fit modules on the wall frame and connect them together using the supplied flat cables.



3. Connect the two wires of the 2Voice riser and those of the electric lock, fixing all with the other screw on the wall frame upper side.



4. Complete the installation by fitting the design front plates and the upper and lower heads.



Designed to be modular

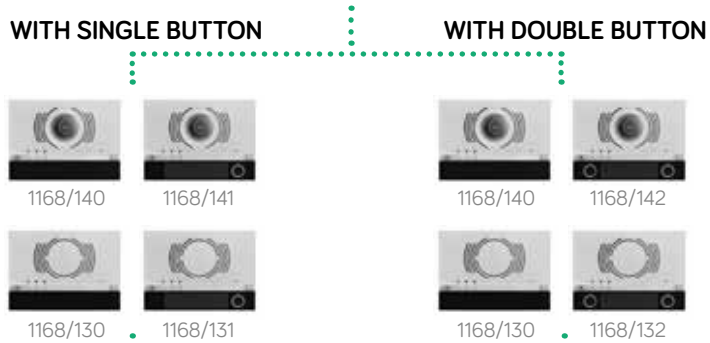
CUSTOMISATION AND VERSATILITY ARE THE KEY FEATURES OF ALPHA ENTRY PANEL.

COMPOSITION

1. Define your needs and **choose** the most suitable system base kit.



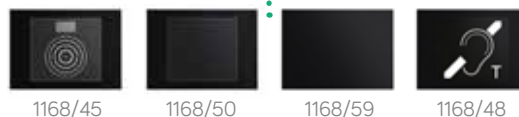
2. Insert the audio or video **front plate** with single or double buttons.



3. **Choose modules** with 4 buttons (single version) or 8 buttons (double version).

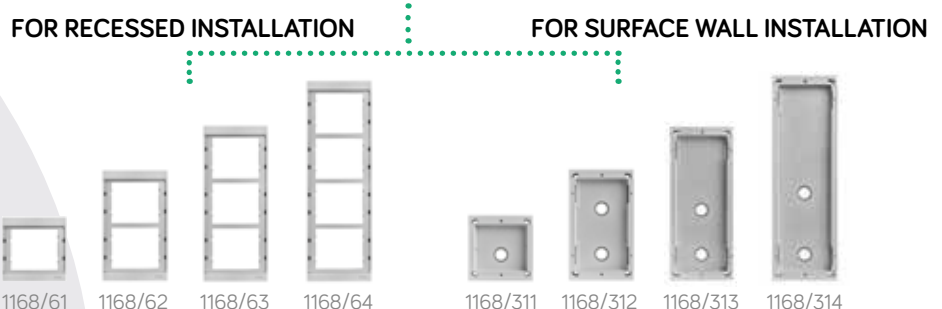


4. **Select the required button covering front plates.**



5. Add the required **accessory modules.**

6. **Choose the wall frames** or the **surface wall mounting boxes with frame** to complete the entry panel.





Easy programming

To make configuration as easy as possible, Alpha entry panels feature **two levels** of programming: **basic and advanced**.

Basic programming

for **single-staircase** systems with up to **2 main** and **2 secondary entry panels**: it is carried out directly on the audio or audio/video module using the on-board buttons.

Advanced programming

for all the other system types: it is carried out by means of **smartphone/tablet/pc** with a WiFi Direct connection and without the need for any specific software; a normal browser is sufficient and **no Internet connection is required**.



DIMENSIONS

